



**SA**  
**SERIES**

## Washer-Extractor

---

**275 - 300 - 475**  
pound capacities



# SA Series

The SA Series – Softmount High-Speed Automatic Industrial Strength Washer-Extractors for Medium to Large Sized On Premise Laundry, Commercial and Industrial Laundry Applications, Including Resort Hospitality, Health Care, and Correctional Facilities

## Outstanding Reliability and Efficiency at an Affordable Price

The SA Series is Designed to be Effortless and Powerful While Maintaining Low Cost of Ownership:

- ◆ Investment cost returned through increased efficiency
- ◆ Fewer parts means less downtime
- ◆ 320G extraction equals less time in the dryer, yielding tremendous savings
- ◆ Extremely easy installation, no special foundation requirements
- ◆ Can be installed on upper floors and other difficult locations
- ◆ Low maintenance, long lasting, labor saving



### The EL6 Advanced Microprocessor Control

- ◆ Easy to use
- ◆ 30 wash programs
- ◆ Trouble-free
- ◆ 8 chemical signals
- ◆ Programmable water levels, speeds and more
- ◆ Incredibly flexible - handles demanding operations

### Large Door Opening and Safe Door Interlock

- ◆ Hydraulically operated door opens nearly 180 degrees for easy loading/unloading
- ◆ Door and hinge made of 304 stainless steel
- ◆ Air operated silicon door gasket for extra tight seal and long life
- ◆ Safe, simple, reliable door lock system
- ◆ 40 inch door for easy loading and unloading





### High Quality Bearings and Seals

- ◆ The ultimate in durable design
- ◆ Cast steel housings
- ◆ Spherical roller bearings
- ◆ Triple V-ring seal for extra protection - spare set in place
- ◆ Dry zone bearings are not damaged should the seals leak
- ◆ Hard chromed high strength shaft

---

### Robust Energy Efficient Inverter Drive System

- ◆ Incredibly flexible operation
- ◆ Excellent protection for the motor
- ◆ Latest technology for precise speed control
- ◆ Single motor drive without clutches and complication
- ◆ 320G high speed extract



### Freestanding Construction

- ◆ Withstands the rigorous demands of continuous operation
- ◆ Tuned suspension system with heavy duty springs and industrial shock absorbers (SA-275 and SA-300)
- ◆ Air cushion suspension system standard on SA-475
- ◆ Easy installation with no special foundation requirements
- ◆ Standard 2 way tilt (hydraulic on SA-475, pneumatic on SA-275 and SA-300)

---

### Optional Supply Dispenser

- ◆ Programmable automatic flushing
- ◆ Convenient height for easy access
- ◆ 8 chemical signals standard



The SA Series from B&C Technologies: Reliable, Durable, Affordable

# Specifications

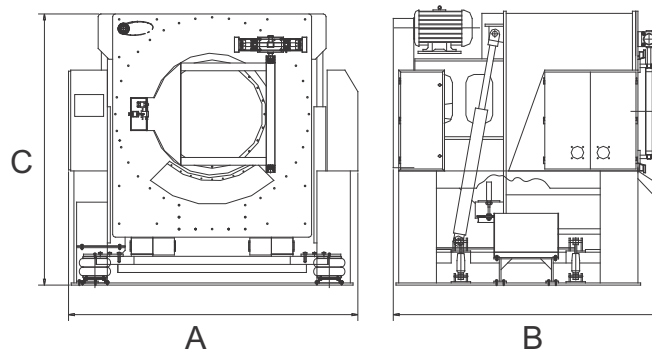
MODEL	Metric	US	SA-275		SA-300		SA-475	
Maximum Capacity	kg	lbs	125	275	136	300	216	475
<b>Overall Dimensions</b>								
A - Width (cabinet)	mm	in	1886	74.25	1886	74.25	2115	83.27
Width (maximum)	mm	in	2064	81.25	2064	81.25	2615	102.95
B - Depth	mm	in	2248	88.5	2350	92.5	2270	89.37
C - Height	mm	in	2261	89	2261	89	2540	100
<b>Wash Cylinder Information</b>								
Cylinder Diameter	mm	in	1321	52	1321	52	1625	64
Cylinder Depth	mm	in	864	34	965	38	1028	40.25
Cylinder Volume	liters	cu ft	1184	41.8	1323	46.7	2131	75.3
<b>Motor</b>								
Size	kW	HP	18.75	25	22.5	30	29	40
<b>Cylinder Speeds (Programmable)</b>								
Wash	G	rpm	0.8	33	0.8	33	0.8	30
Distribution	G	rpm	2	60	2	60	2	57
High Extract	G	rpm	320	660	320	660	320	590
<b>Door Opening</b>								
Door Opening Diameter	mm	in	1020	40.2	1020	40.2	1020	40.2
Height to Bottom of Door	mm	in	876	34.5	876	34.5	653	25.7
<b>Drain System</b>								
Overflow Size	mm	in	64	2.5	64	2.5	64	2.5
Drain Outlet Size	mm	in	102	4	102	4	203	8
Number of Drains	Standard	Optional	1	2	1	2	1	2
<b>Steam Inlet</b>								
Connection Size	NPT		1		1		1-1/4	
<b>Water Inlet</b>								
Connection Size	NPT		1-1/4		1-1/4		2	
Number of Inlets	Standard	Optional	2	2	2	2	2	2
<b>Chemical Supply System</b>								
Number of Dry Chemical Compartments	Standard	Optional	0	5	0	5	0	5
Number of Liquid Supply Connections	Standard	Optional	5	5	5	5	5	5
Liquid Supply Connection Size	NPT		1/2		1/2		1/2	
<b>Electrical Specifications</b>								
200-230VAC, 3PH, 50-60Hz	Amps	Breaker	79	80	89	90	95	150
380-460VAC, 3PH, 50-60Hz	Amps	Breaker	39	40	45	50	48	80
<b>Weight and Shipping Information</b>								
Net Weight	kg	lbs	4300	9460	4743	10435	8825	19414
Domestic Shipping Weight	kg	lbs	4345	9560	4800	10560	9120	20062

## Standard Features:

- ◆ Heavy duty construction
- ◆ All wetted parts are 304 (18/8) stainless steel
- ◆ 40 inch door opening
- ◆ 30 cycle microprocessor
- ◆ 320G extraction force
- ◆ 3 degree lean back for strength and easier loading
- ◆ Air operated door gasket
- ◆ Variable speed inverter drive
- ◆ Dry zone bearings
- ◆ Standard 2 way tilt
- ◆ Stainless steel panels
- ◆ Water reuse capable
- ◆ Direct steam heating

## Optional Features:

- ◆ Water reuse inlet and drain
- ◆ EMI filter
- ◆ PC programming kit



**B&C Technologies**  
 1250 West 17th Street  
 Panama City, FL 32405  
 p: 850-249-2222  
 f: 850-249-2226  
[www.bandctech.com](http://www.bandctech.com)  
[sales@bandctech.com](mailto:sales@bandctech.com)