

EcoWash EWR-40

40-lb Capacity Rigid Mount/200 G-Force Coin Washer/Extractor

Features and Benefits:

- Coin or Card Ready
- Inverter Driven Motor
- Heavy-Duty Structural Tube Construction
- Stainless Steel Cabinet
- Easy to Program and Easy to Use Controls
- Load Imbalance Detection Before Spinning
- Large, Convenient Supply Dispenser
- Flexible Water Level Settings
- Ergonomic, Easy-Grip Door Handle

Why Purchase ADC EcoWash?



Rugged Structural Tube Construction

EcoWash rapid spin washer/extractors are constructed with a structural tube design frame in combination with a heavy-duty cast aluminum counter weight to provide superior strength and maximum stability throughout the wash cycle.

Durable Door Safety Lock and Handle

The durable ergonomic design of the door handle combined with our Easy Lock™ door lock provides maximum convenience and safety.

Large, Convenient Supply Dispenser

Easy to use, this large supply dispenser allows you to conveniently load your detergent, bleach and fabric softeners before starting your wash cycle.

Disconnect

All Ecowash washers feature a standard quick disconnect for immediate power shutoff to your washer, eliminating the need for any additional cost of an external disconnect. This quick disconnect provides lockout/tagout capability to meet OSHA standards when performing preventative maintenance.

Your local ADC independent authorized distributor



EWR-40 Coin Washer/Extractor

EcoWash EWR-40

200 G-Force Rapid Spin Washer-Extractor

Features	EWR-40
DRUM	
Load Capacity (lb/kg)	40 / 18.14
Drum Volume (cu. ft./liter)	6.35 / 180
Drum Diameter (in/mm)	24-1/2 / 620
Drum Depth (in/mm)	22.83 / 580
DIMENSIONS	
Width (in/mm)	31-1/8 / 791
Depth (in/mm)	38 / 965
Height (in/mm)	51-3/4 / 1314
Weight (lb/Kg)	542 / 246
DIMENSIONS WITH PACKAGING	
Crated Width (in/mm)	32-1/2 / 826
Crated Depth (in/mm)	45 / 1143
Crated Height (in/mm)	61-1/4 / 1556
Crated Weight (lb/Kg)	592 / 269
DOOR	
Height to Bottom of Door	16-1/2 / 419
Door Opening Diameter (in/mm)	14-3/4 / 375
ELECTRICAL REQUIREMENT	
Voltage/Phase	208-240 / 1, 3 ϕ
Full load current / Breaker (amps) - 1 ϕ	11.56 / 15
Full load current / Breaker (amps) - 3 ϕ	7.53 / 15
CONNECTIONS	
Water Inlet (in/mm)	3/4 / 19.05
Steam Inlet (in/mm)	1/2 / 12.7
Drain (in/mm)	3 / 76.2
CYLINDER SPEED	
Washing speed (r.p.m.)	50
Spinning speed (r.p.m.)	760
G-Force	200

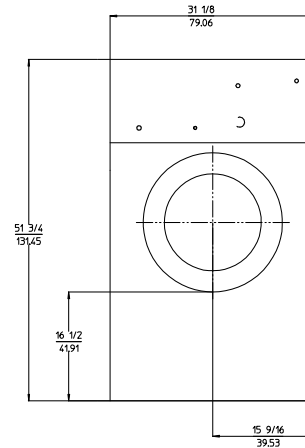


Intuitive Micro Controls (IMC®) That Makes Washing Easy For You and Your Customers

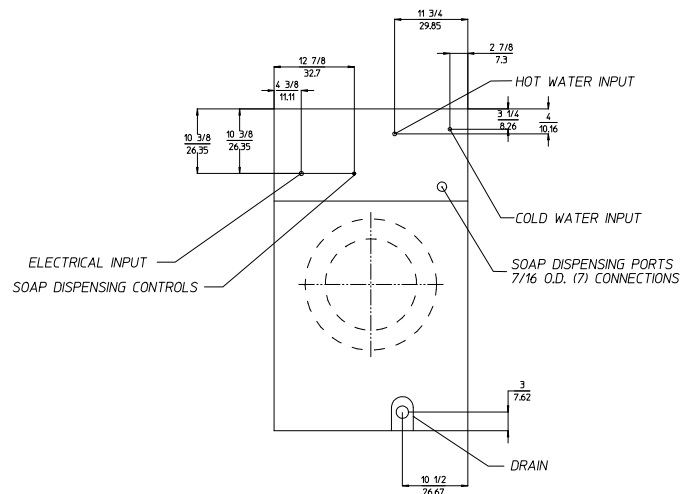
Intuitive Micro Controls (IMC®) is our programmable microprocessor that is customizable, easy to program and easy to use. You can simplify existing programs; modify or delete the temperature and times of each phase of the cycle, as well as modify water levels to achieve maximum savings in your Laundromat. Multi vend pricing capability also enables you to maximize your Laundromat's revenue.



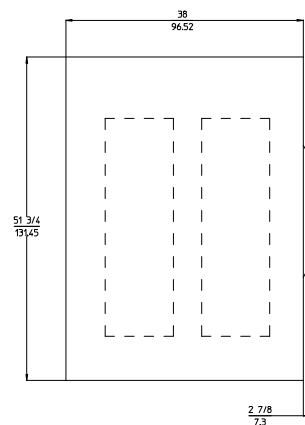
88 Curren Road Fall River, MA 02720-4781 • 508.678.9000 • Fax: 508.678.9447 • Email: sales@amdry.com



FRONT VIEW



BACK VIEW



SIDE VIEW

P/N 450639 02/12
REV 3/29/12

* Specifications are subject to change without notice or obligation. Contact ADC for dimensions not shown or for clarification.